

Raspberry Pi Compute Module 3+ - NEC Edition

Making Digital Signage simpler and more flexible

The NEC Edition of the Raspberry Pi Compute Module 3+ leaves nothing to be desired.



NEC large format display with Interface Board and Compute Module installed

Seamlessly embedded into many NEC Large Format Displays, the Compute Module boosts the display performance to suit any visual application. This open-platform solution offers unrivalled flexibility and performance in creating customised display applications whilst securing futureproof operation with an upgrade path through its modular and exchangeable slot design. Software providers and users benefit from the vast number of already available open source solutions accessible from the global Raspberry Pi developers community. The NEC edition tops the standard Raspberry Pi performance with extended memory capabilities and intelligent Digital Signage support such as the Watch Dog Timer and Real Time Clock for scheduling. The Ethernet and USB interfaces of the display allow easy integration into a network or connection with external devices such as mouse, keyboard and touch.

The Raspberry Pi Compute Module 3+ NEC Edition is the smartest combination of computing power with professional yet cost-effective Signage displays for use in retail environments, passenger information, quick service menu boards and so many more applications.

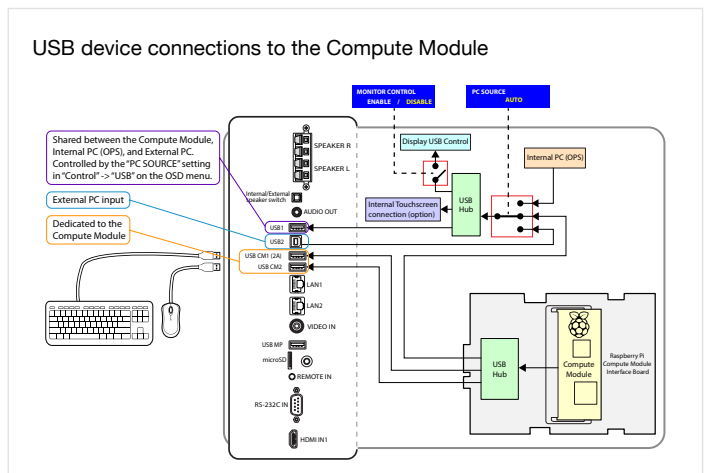
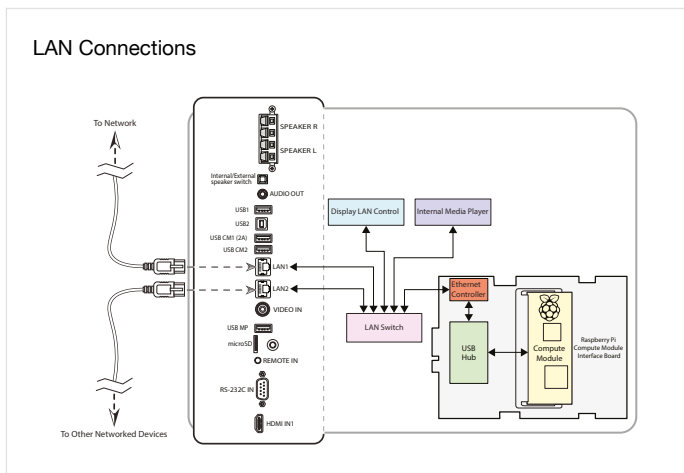
Delivering Genuine Benefits

- **Pre-installed NEC MediaPlayer** - providing an intuitive plug and play digital signage solution, easy to manage and capable of guiding the user to create powerful visual experiences.
- **Future-Proof with Open Modular Intelligence Expansion** – Upgrade the power of the display by escalating the computing power at any time to boost performance capability.
- **Powerful possibilities** – the Quad Core 1.2 GHZ processor provides amazing performance for crisp Full HD playback with an unrivalled price-performance ratio.
- **Designed for professional Digital Signage** – The NEC Edition features an extended onboard memory of 32 GB, a Watch Dog Timer and a Real Time Clock as well as pre-loaded licences for video decoding to meet the particular demands of professional signage applications.
- **Unlimited versatility** – Supporting a broad range of operating systems, this open platform offers high flexibility for digital signage software providers and system integrators.
- **Seamless and fully embedded** – Simply slotted into the display for a fully integrated solution, external mounting is obsolete. An elegant, cable-free solution with internal connection for power, video, audio, data and all control interfaces.
- **Economical** – enjoy high performance and low energy use with associated savings.
- **High reliability** – the use of industrial grade components and our advanced heat management makes this solution ideally suited for 24/7 operation.
- **Trusted state-of-the-art technology** – Raspberry Pi computing is a worldwide success story with proven high reliability and an unmatched price-performance ratio making it attractive for professional applications.

Technical Specifications

Order Codes	
RPi3 CM3+ with NEC MediaPlayer, incl. Interface Board	10005511
Raspberry Pi Compute Module 3+ – NEC Edition	
CPU	Quad Core 64-bit ARM Cortex A53 @ 1.2GHz, VideoCore IV GPU
Graphics	Hardware video encode / decode (MPEG2, MPEG4, H.264, VC-1 up to 1080p60), 1.2GPixel / sec OpenGL ES 2.0 3D, 4kp30 HDMI output
Memory	32 GByte on-board eMMC
RAM	1Gbyte LPDDR2 SDRAM
Preinstalled Operating System	NEC MediaPlayer
Dimensions (W x H x D)	Net: 67.7 x 31 x 30
Weight [g]	7.3
Resolution	Native resolution video (1920x1080)
Others	Includes licenses for MPEG-2, MPEG-4, and VC-1 hardware CODECs
Certificates	CE, FCC & RCM certification
Warranty	3 Years
Interface Board for Raspberry Pi Compute Module 3+	
Interfaces	Connected External Display Interfaces: 3 x USB A, 1 x USB B (for programming the Compute Module) 2 x RJ45 network with internal switch, Infrared, internal serial and digital audio connection
Other features	WatchDog Timer, Realtime clock (in combination with supported NEC large format displays)
Dimensions (W x H x D) [mm]	110 x 86 x 26
Weight [g]	200
Certificates	CE, FCC & RCM certification
Warranty	3 Years

Internal Operation Diagrams



NEC Australia Pty. Ltd. reserves the right to change product specifications, functions, or features, at any time, without notice. Please refer to your local NEC representatives for further details. Although all efforts have been made to ensure that the contents are correct, NEC shall not be liable for any direct, indirect, consequential or incidental damages resulting from the use of the equipment, manual or any related materials. The information contained herein is the property of NEC Australia Pty. Ltd. and shall not be reproduced without prior written approval from NEC Australia Pty. Ltd.

©2021 NEC Australia Pty. Ltd. All rights reserved. NEC and NEC logo are trademarks or registered trademarks of NEC Corporation that may be registered in Japan and other jurisdictions. All other trademarks are the property of their respective owners. All rights reserved. Printed in Australia. Note: This disclaimer also applies to all related documents previously published.